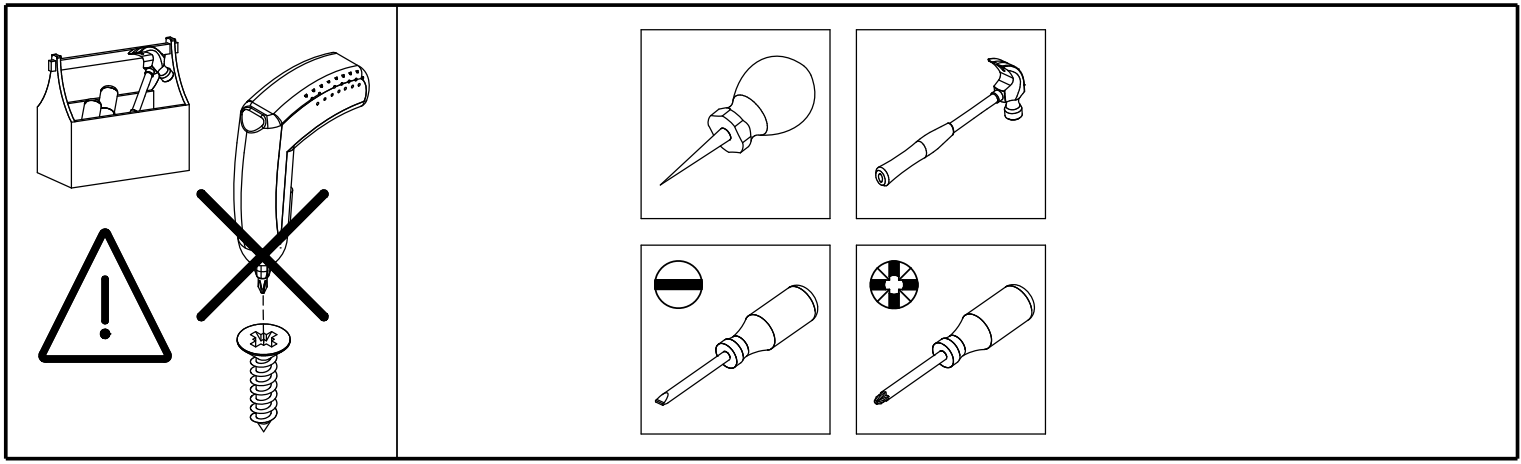
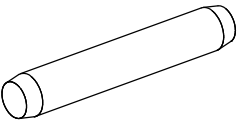
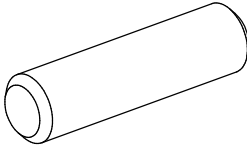
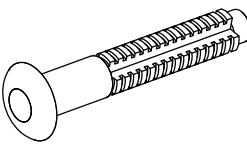
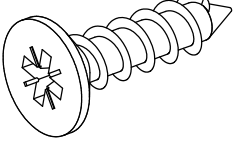
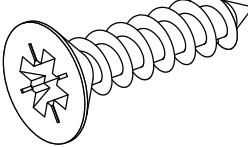
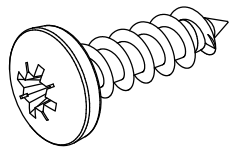
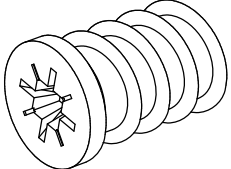
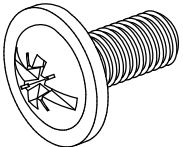
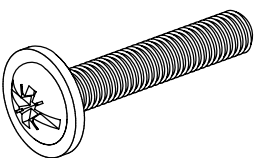
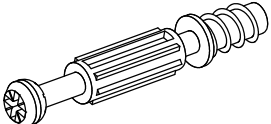
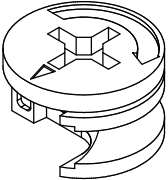
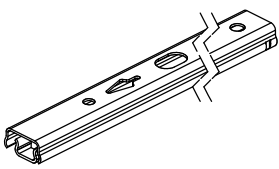
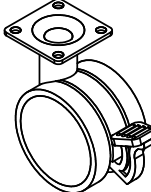
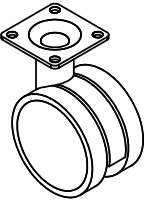
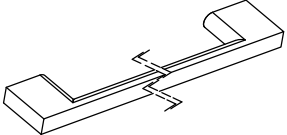
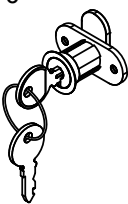
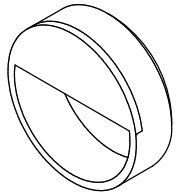
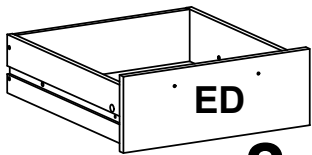
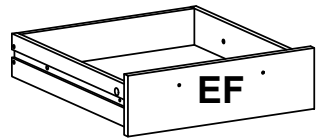
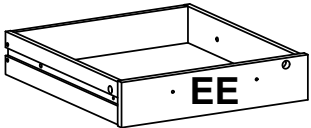
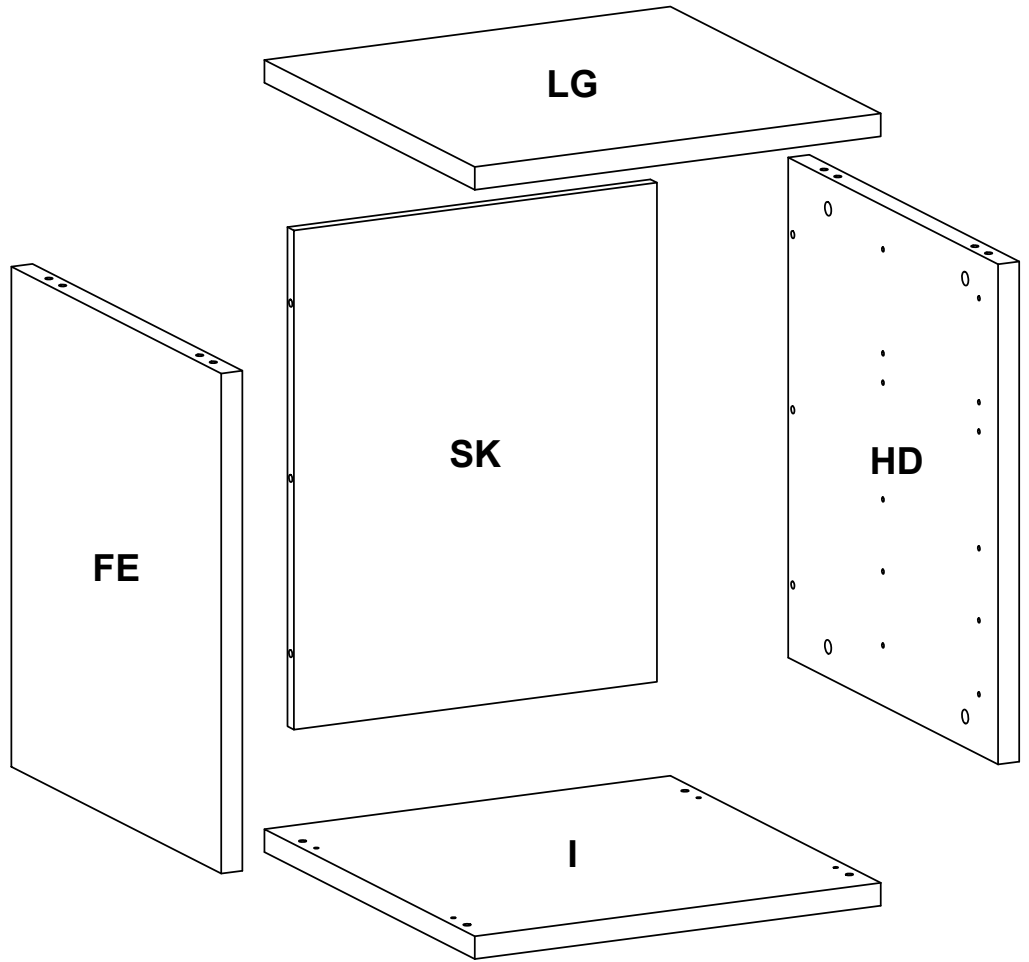
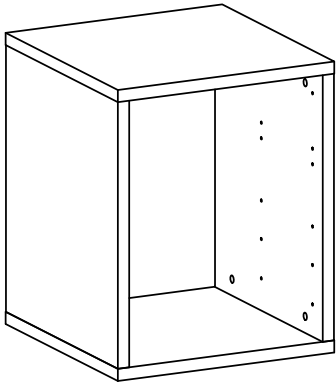


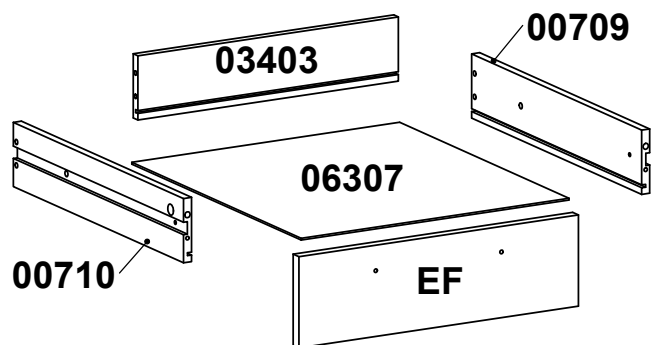
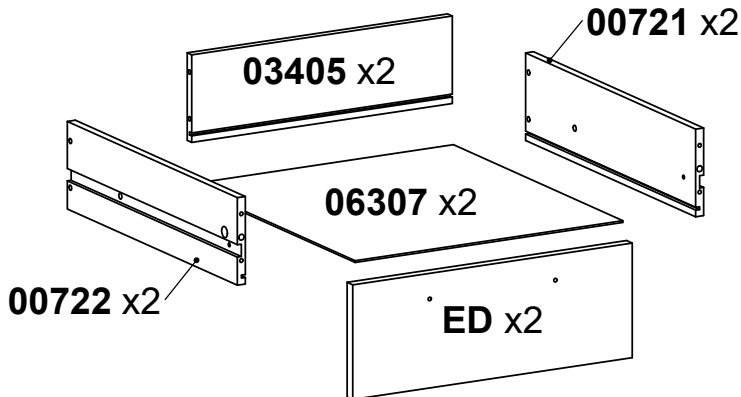
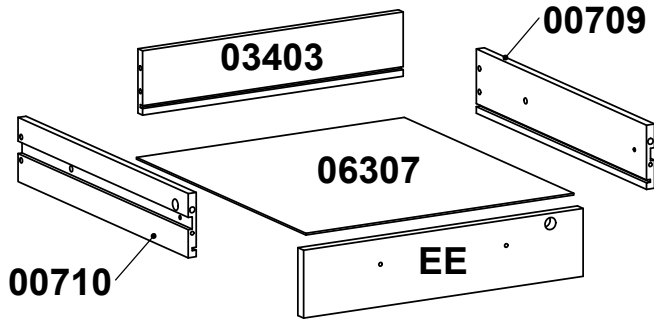
tvilum

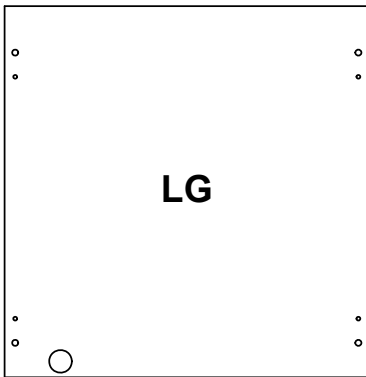


<p>0120203 x12</p>  <p>Ø0.2x1.18" Ø5x30 mm</p>	<p>0120209 x14</p>  <p>Ø0.31x1.18" Ø8x30 mm</p>	<p>0120228 x16</p>  <p>Ø0.25x1.57" Ø6,3x40 mm</p>	<p>0125215 x2</p>  <p>Ø0.12x0.47" Ø3x12 mm</p>	<p>0125233 x16</p>  <p>Ø0.14x0.59" Ø3,5x15 mm</p>
<p>0125470 x16</p>  <p>Ø0.18x0.63" Ø4,5x16 mm</p>	<p>0126020 x16</p>  <p>Ø0.23x0.35" Ø5,8x9 mm</p>	<p>0126214 x8</p>  <p>M4x0.35" M4x9 mm</p>	<p>0126230 x8</p>  <p>M4x0.87" M4x22 mm</p>	<p>0131513 x16</p>  <p>Ø0.30x1.73/1.34" Ø7,5x44/34 mm</p>
<p>0131687 x16</p>  <p>Ø0.59x0.37" Ø15x9,5 mm</p>	<p>0141421 x8</p>  <p>0.67x11.02/17.72" 17x280/450 mm</p>	<p>0164662 x2</p>  <p>Ø2.36" Ø60 mm</p>	<p>0164661 x2</p>  <p>Ø2.36" Ø60 mm</p>	<p>0181102 x4</p>  <p>8.86x0.35x1.1" 225x9x28 mm</p>
<p>0190410 x1</p>  <p>Ø0.63x0.87" Ø16x22 mm</p>	<p>0190805 x1</p>  <p>Ø1.18x0.37" Ø30x9,5 mm</p>			

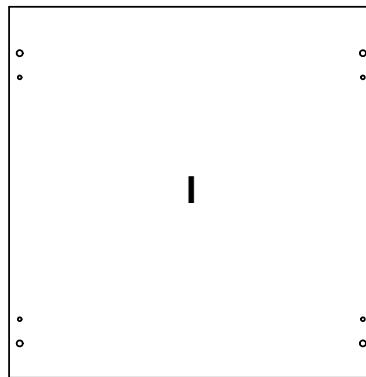


x2

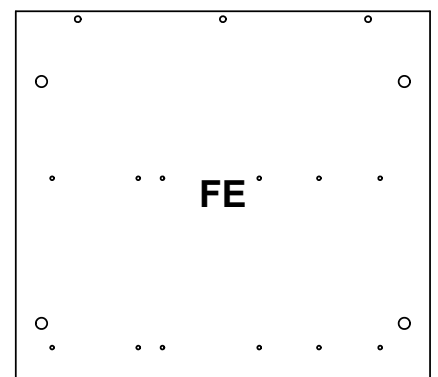




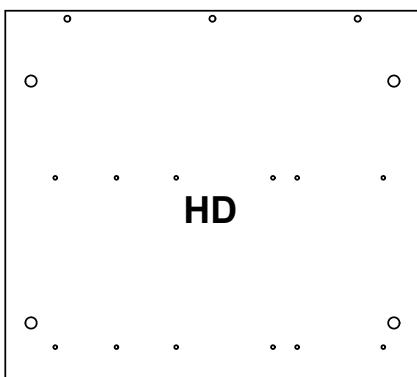
482x491x25mm



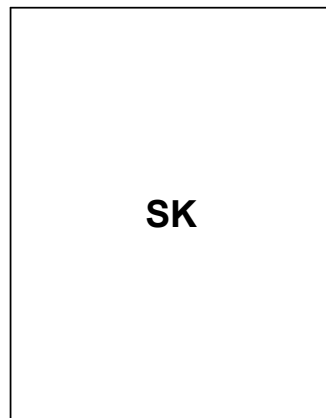
482x491x25mm



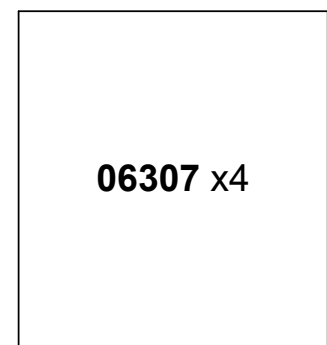
548x490x25mm



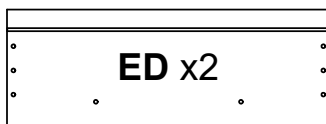
548x490x25mm



431x547x15mm



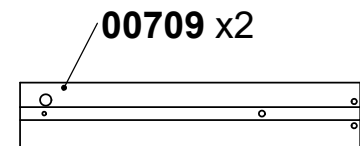
409x448x2,5mm



427x157x15mm



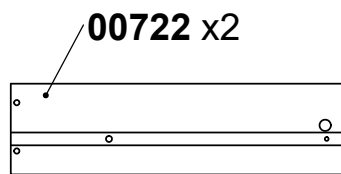
427x93x15mm



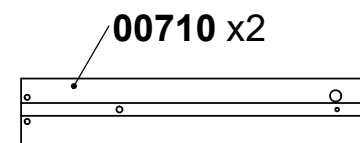
450x88x12,2mm



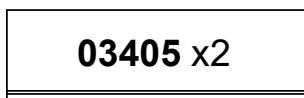
427x125x15mm



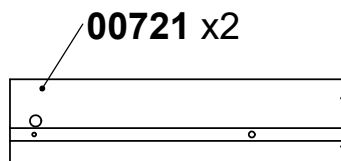
450x120x12,2mm



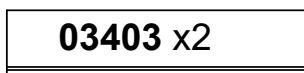
450x88x12,2mm



398x120x12,2mm



450x120x12,2mm

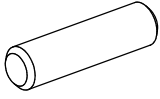


398x88x12,2mm

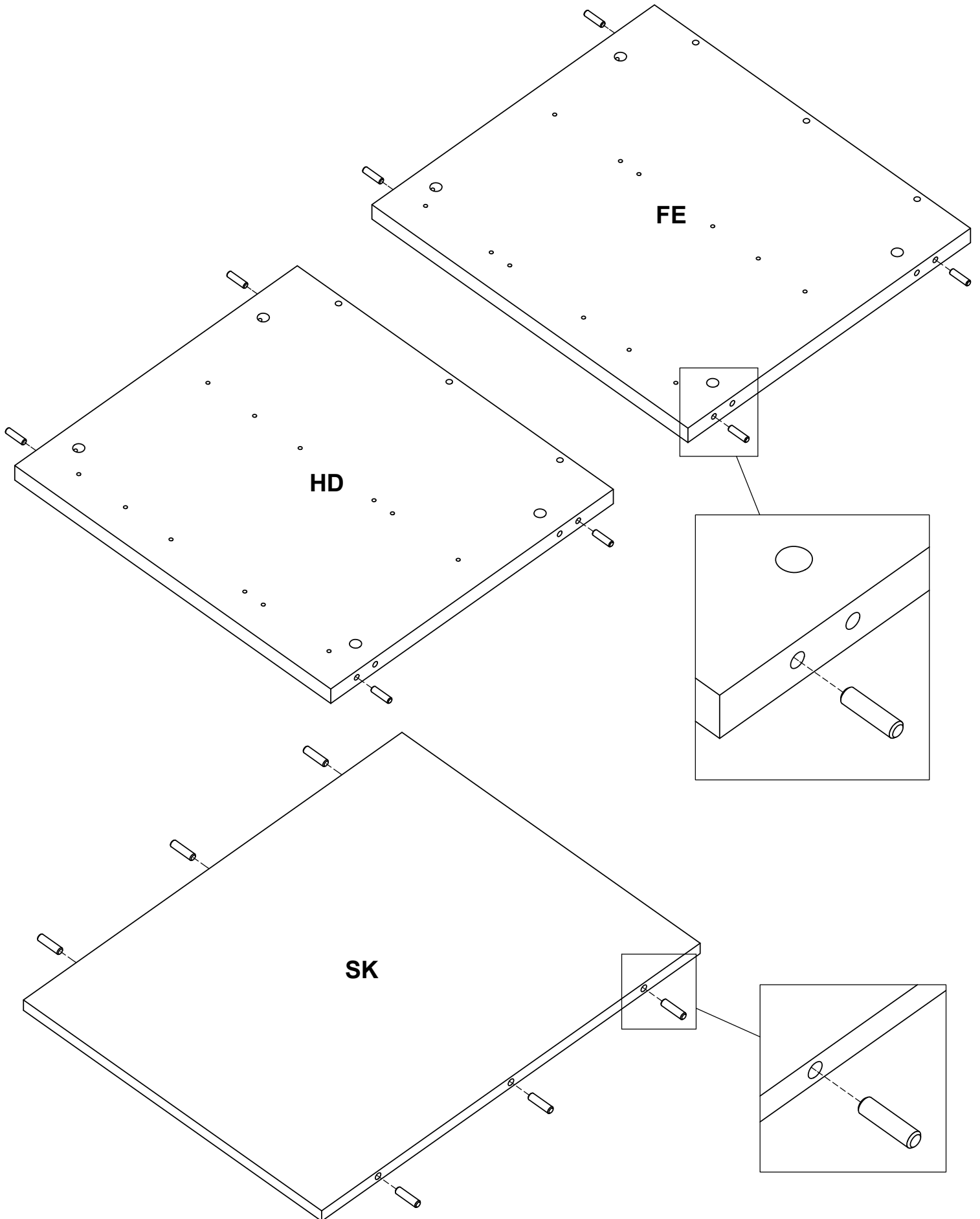
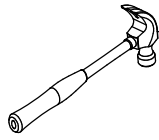
1

0120209

x14



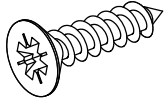
Ø0.31x1.18"
Ø8x30 mm



2

0125233

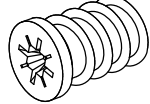
x16



Ø0.14x0.59"
Ø3,5x15 mm

0126020

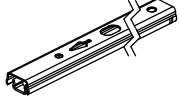
x16



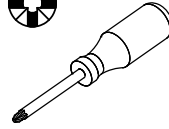
Ø0.23x0.35"
Ø5,8x9 mm

0141421

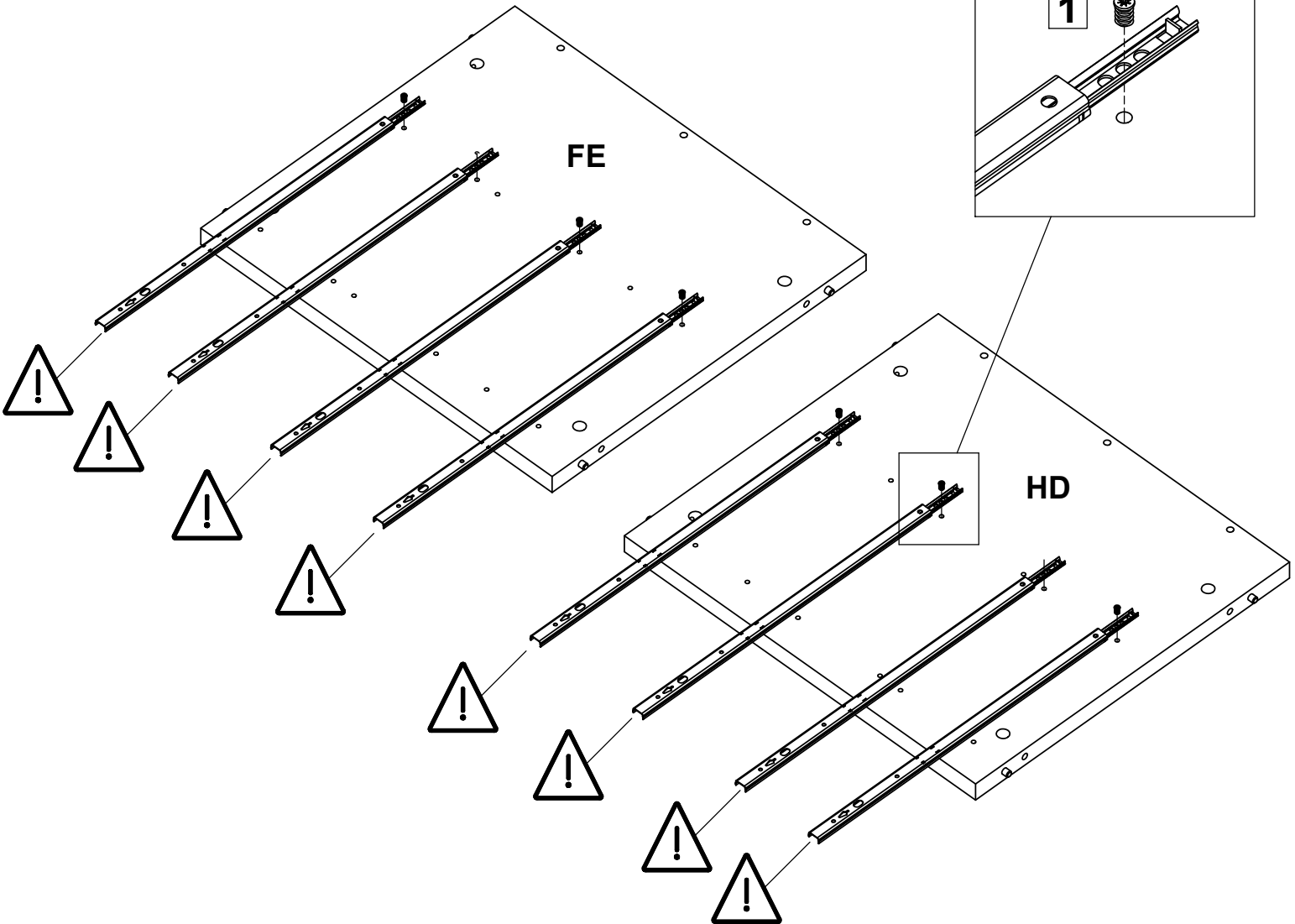
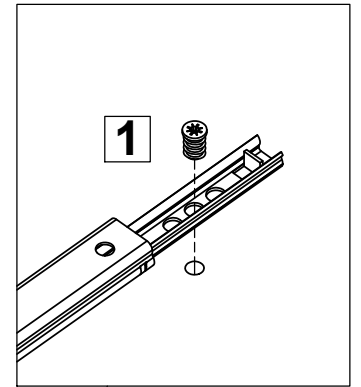
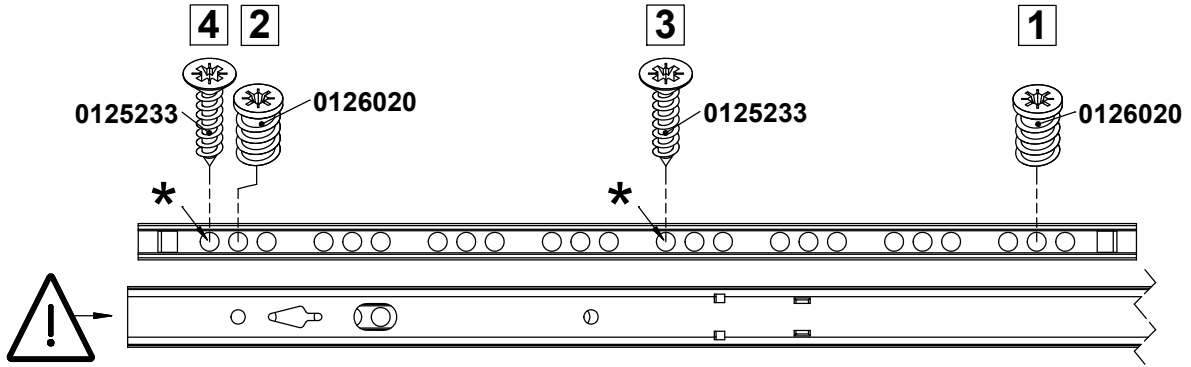
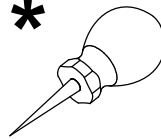
x8



0.67x11.02/17.72"
17x280/450 mm



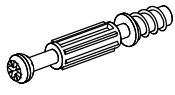
*



3

0131513

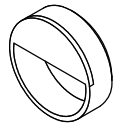
x8



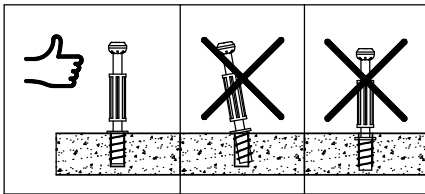
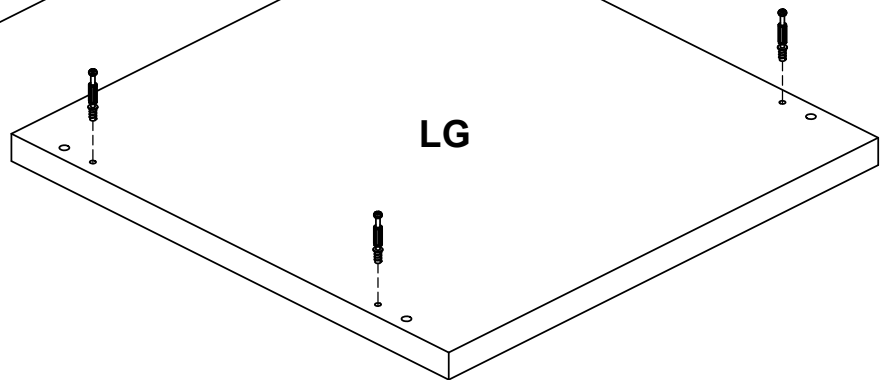
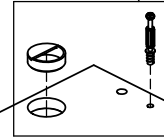
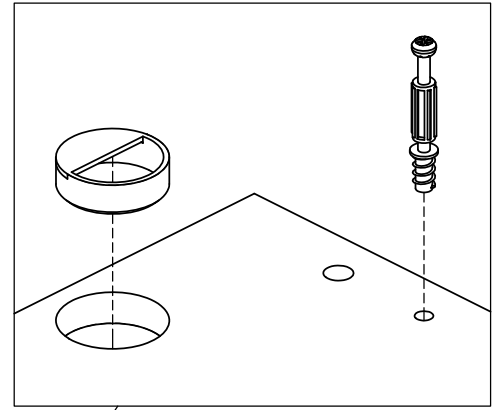
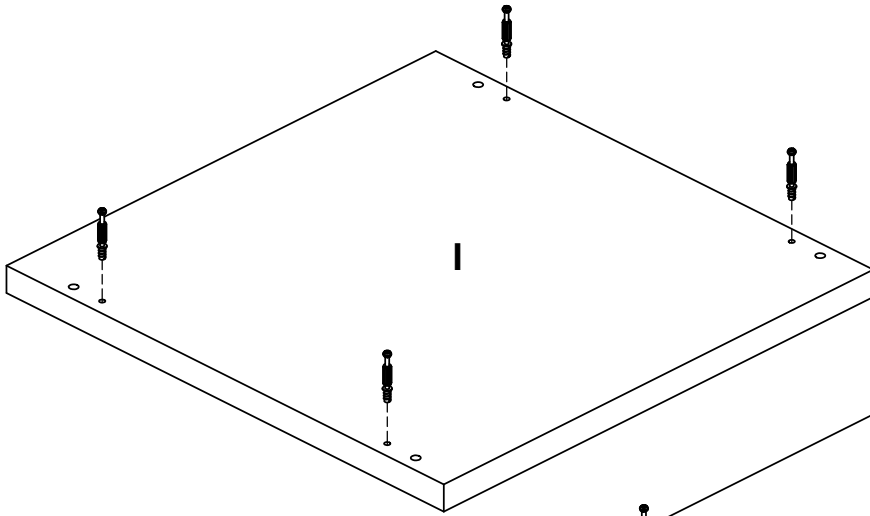
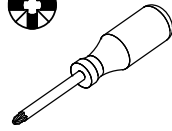
Ø0.30x1.73/1.34"
Ø7,5x44/34 mm

0190805

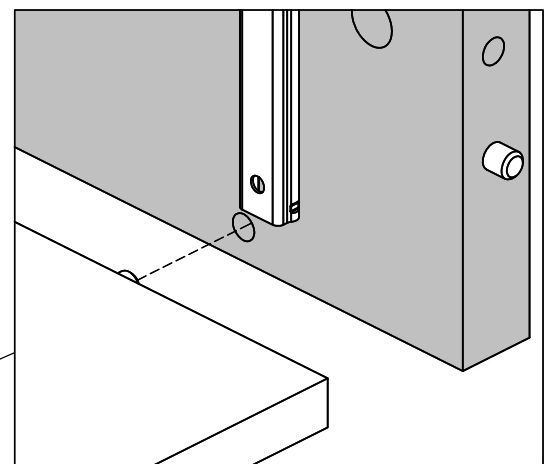
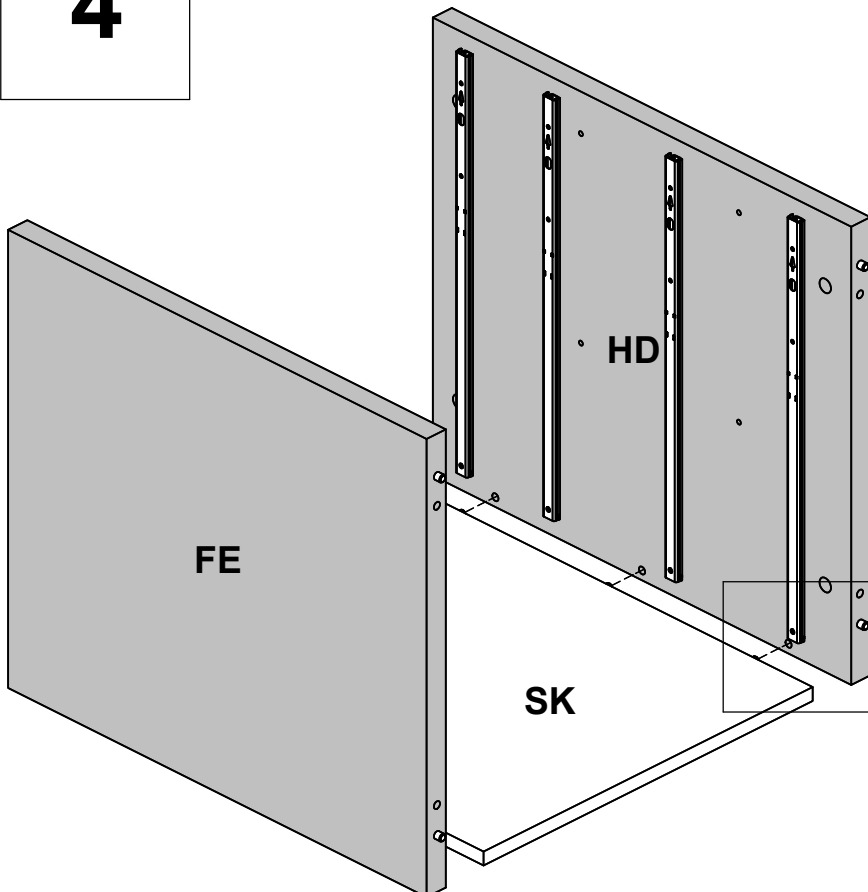
x1

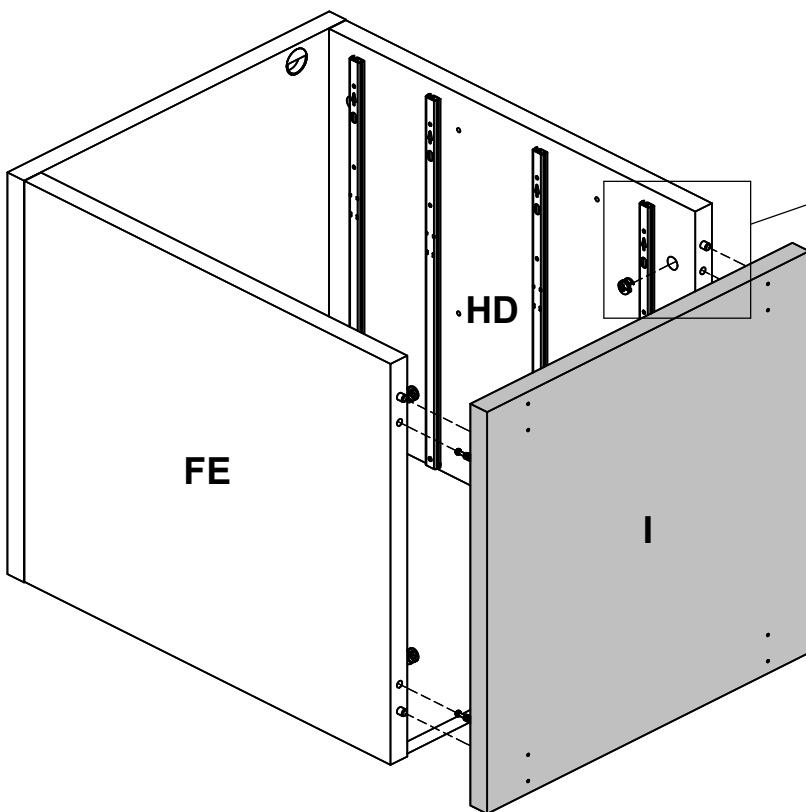
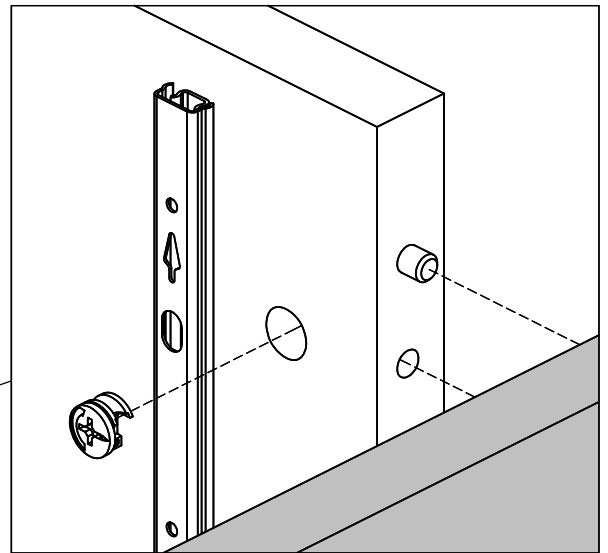
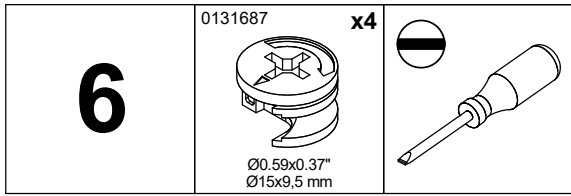
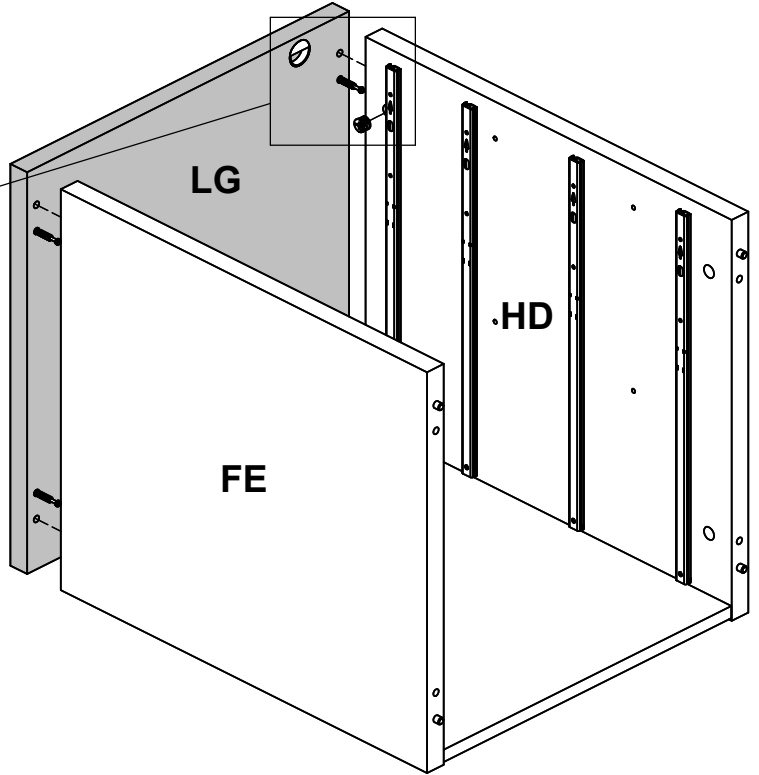
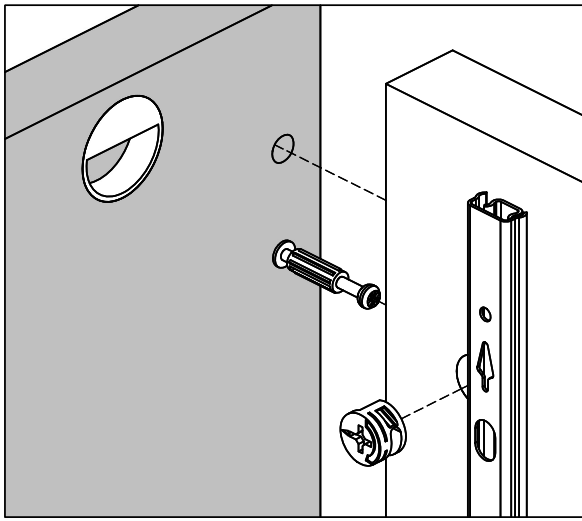
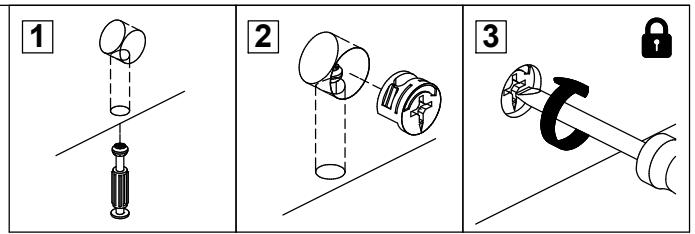
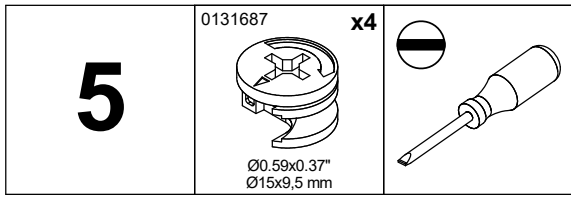



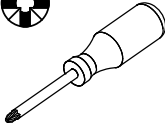
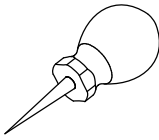
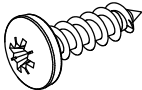
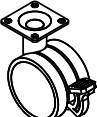

Ø1.18x0.37"
Ø30x9,5 mm

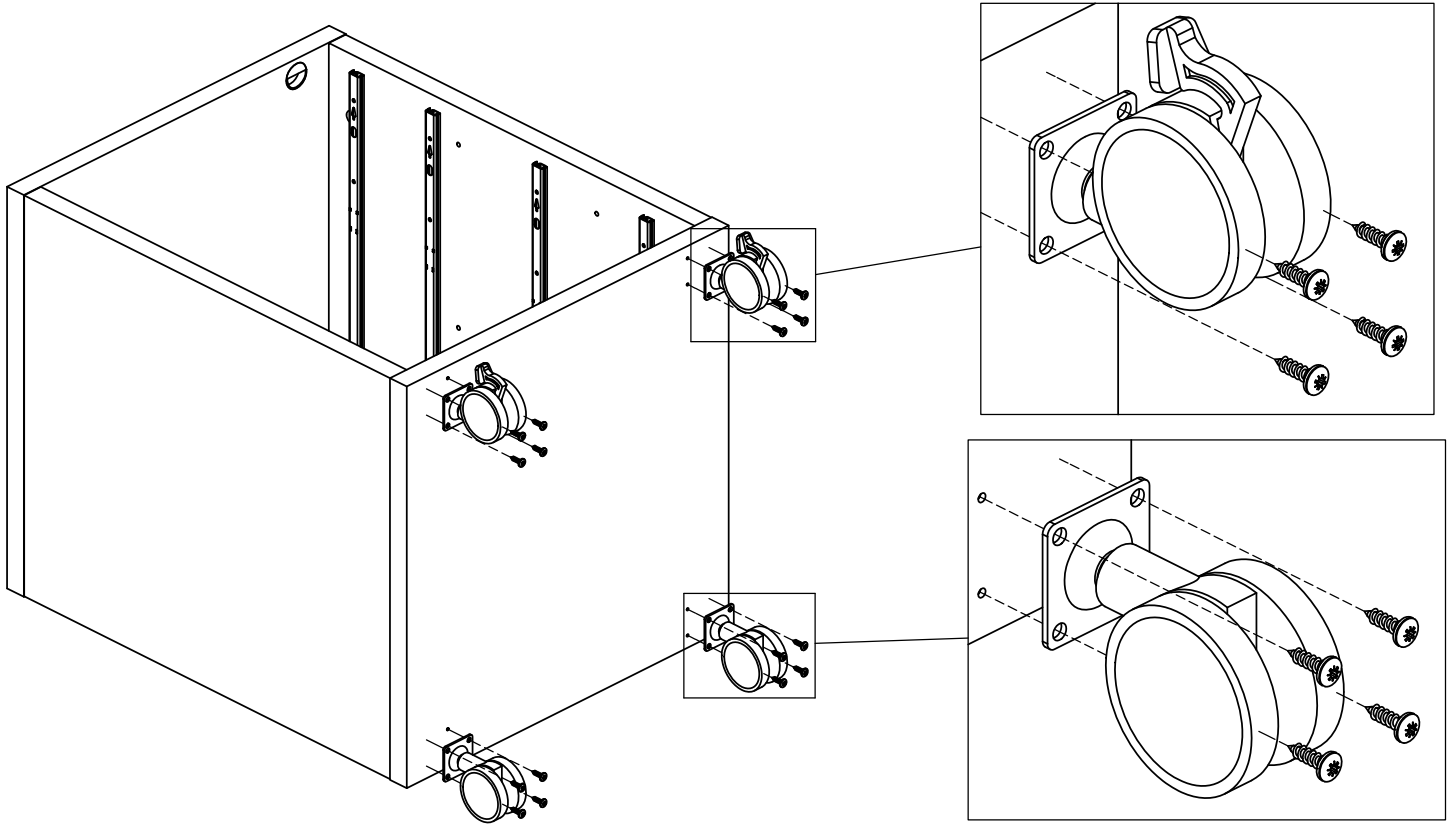



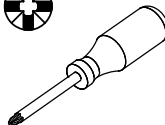
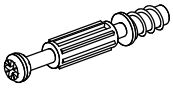
4

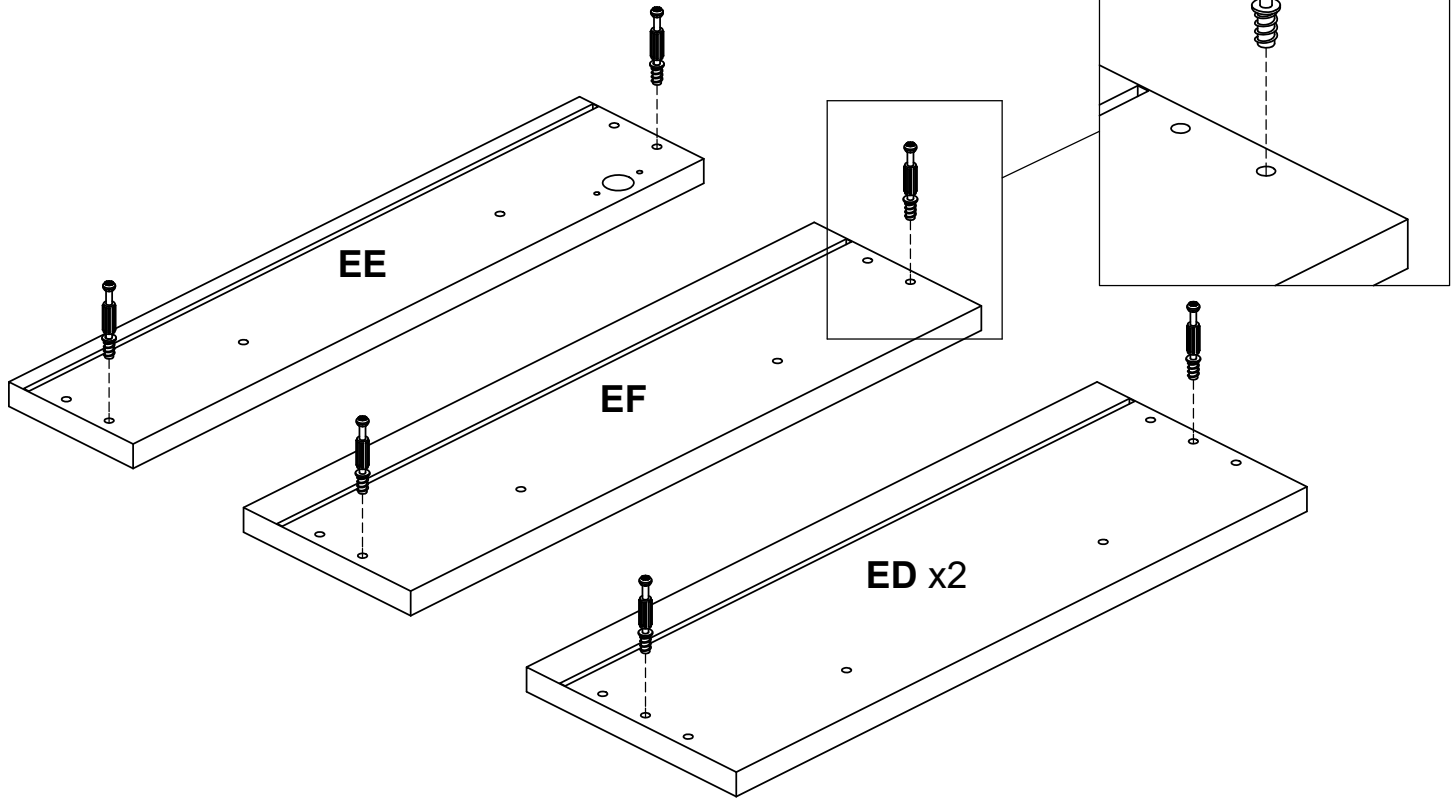




7	0125470	x16	0164662	x2	0164661	x2			
		$\varnothing 0.18 \times 0.63"$ $\varnothing 4.5 \times 16$ mm		$\varnothing 2.36"$ $\varnothing 60$ mm		$\varnothing 2.36"$ $\varnothing 60$ mm			



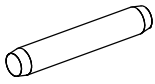
8	0131513	x8		
		$\varnothing 0.30 \times 1.73 / 1.34"$ $\varnothing 7.5 \times 44 / 34$ mm		



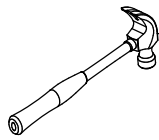
9

0120203

x12



Ø0.2x1.18"
Ø5x30 mm

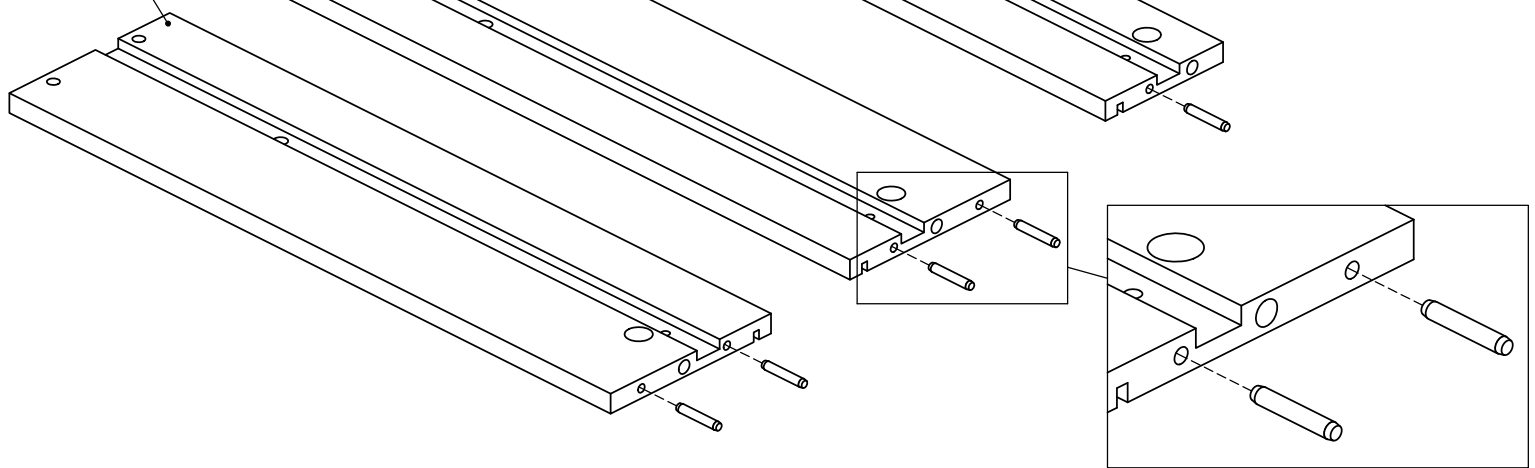


00709 x2

00710 x2

00722 x2

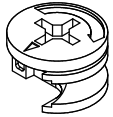
00721 x2



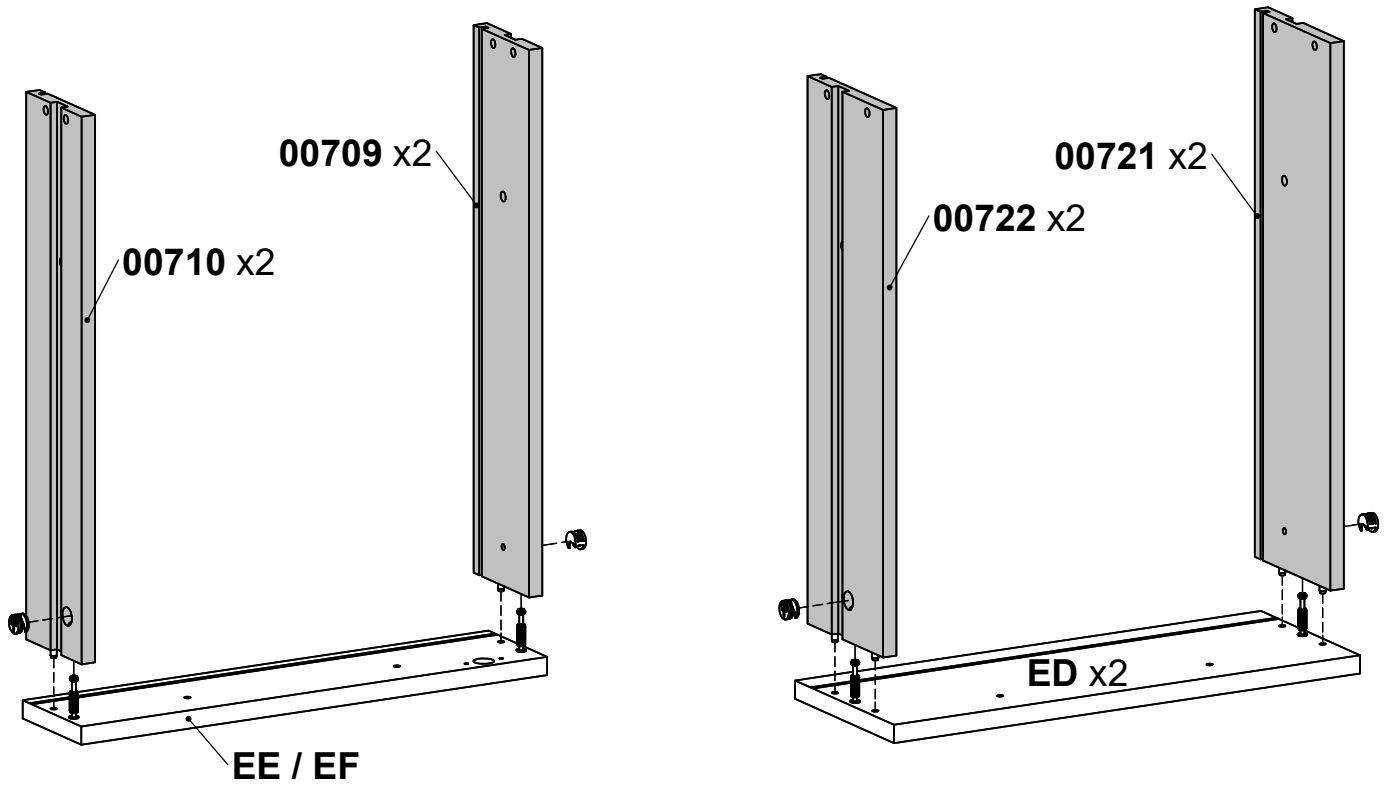
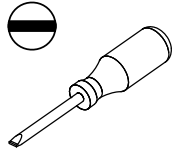
10

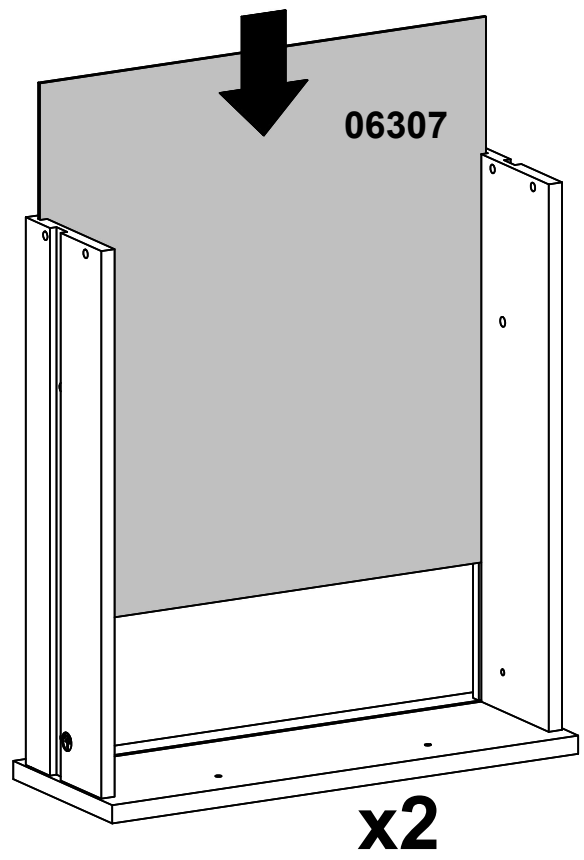
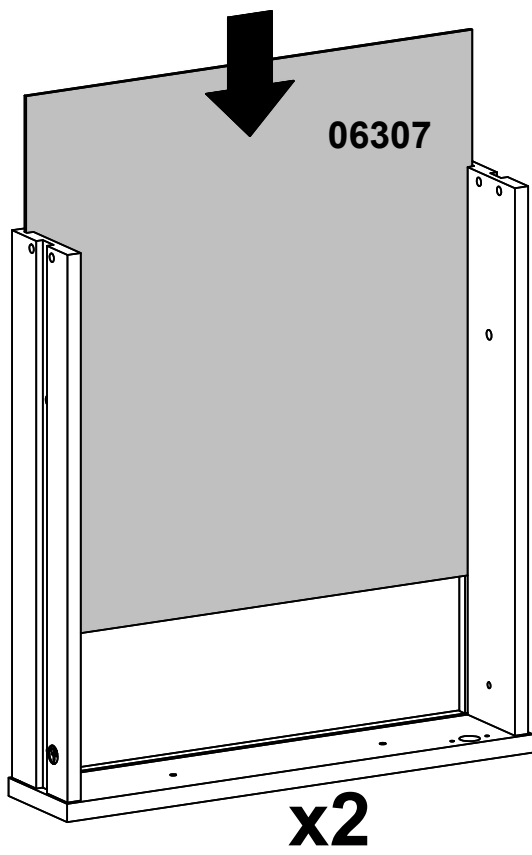
0131687

x8



Ø0.59x0.37"
Ø15x9,5 mm

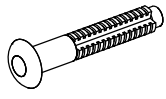




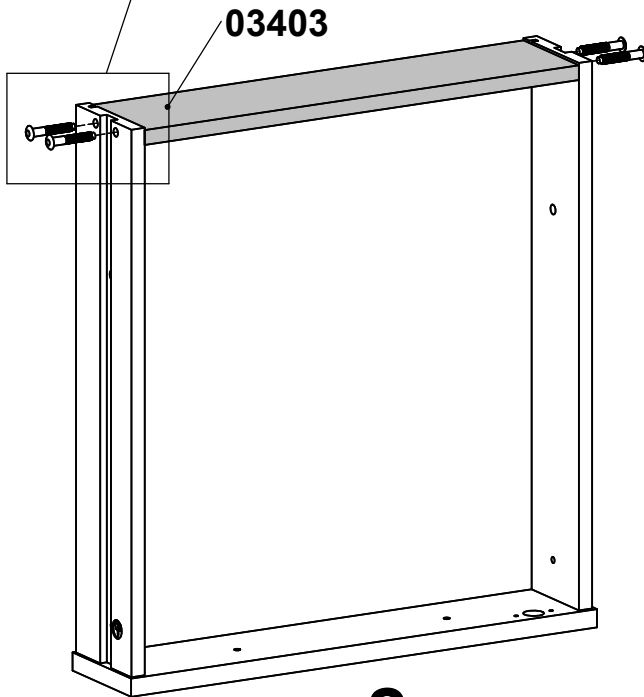
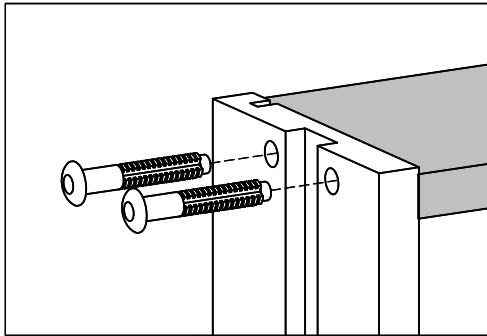
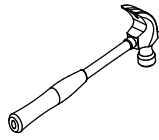
12

0120228

x16

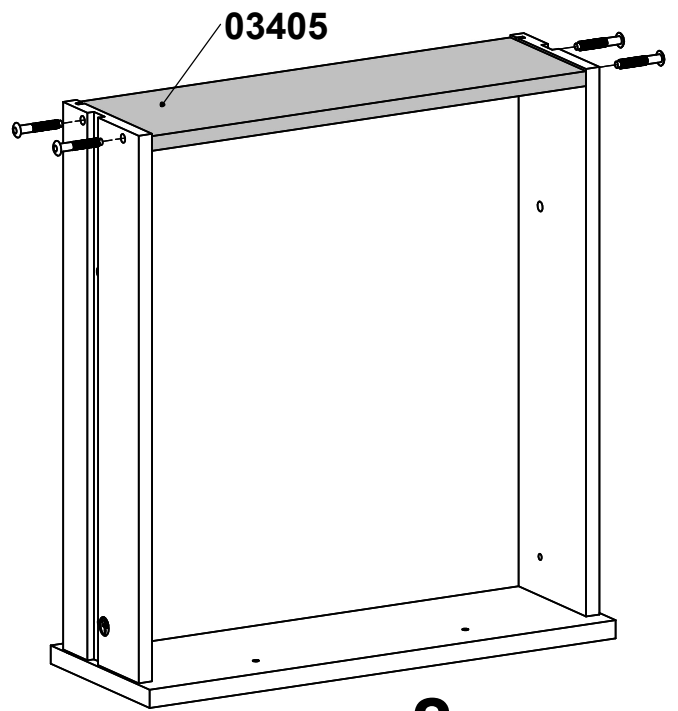


Ø0.25x1.57"
Ø6.3x40 mm



03403

x2



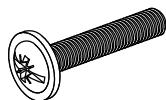
03405

x2

13

0126230

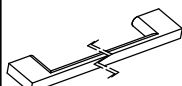
x8



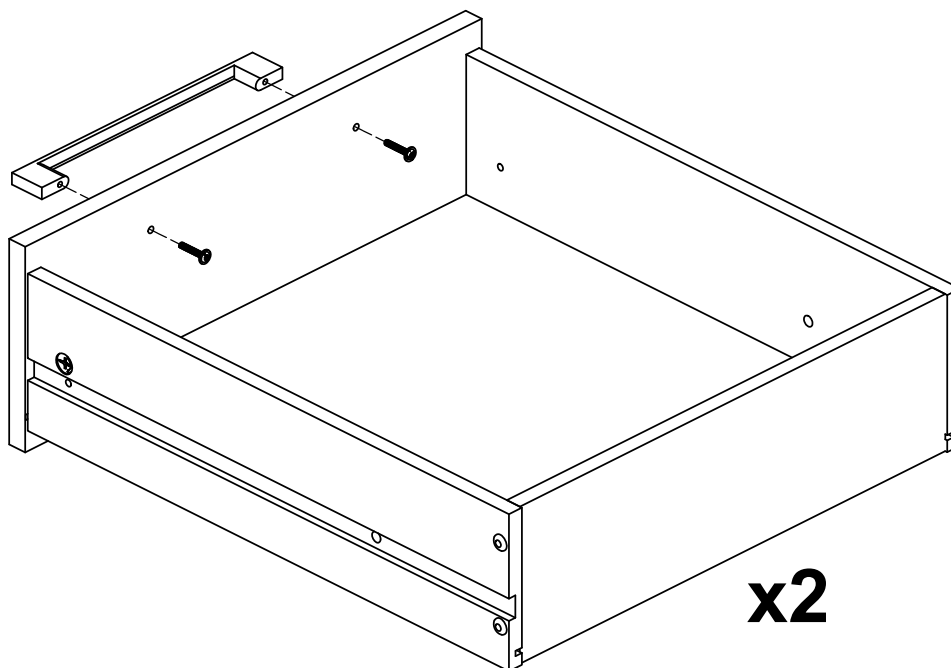
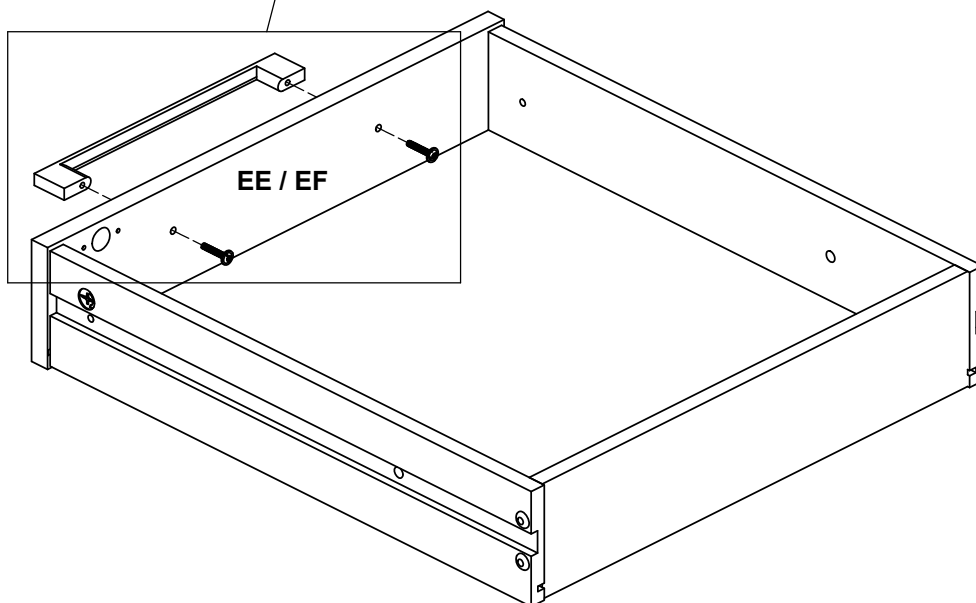
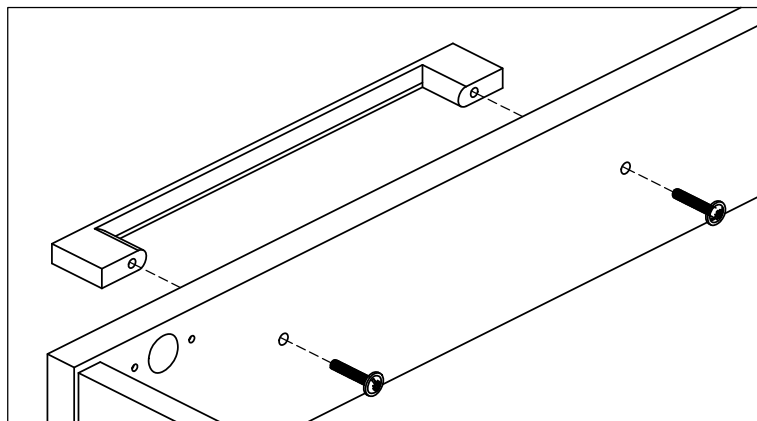
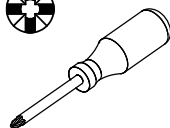
M4x0.87"
M4x22 mm

0181102

x4



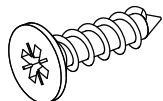
8.86x0.35x1.1"
225x9x28 mm



14

0125215

x2



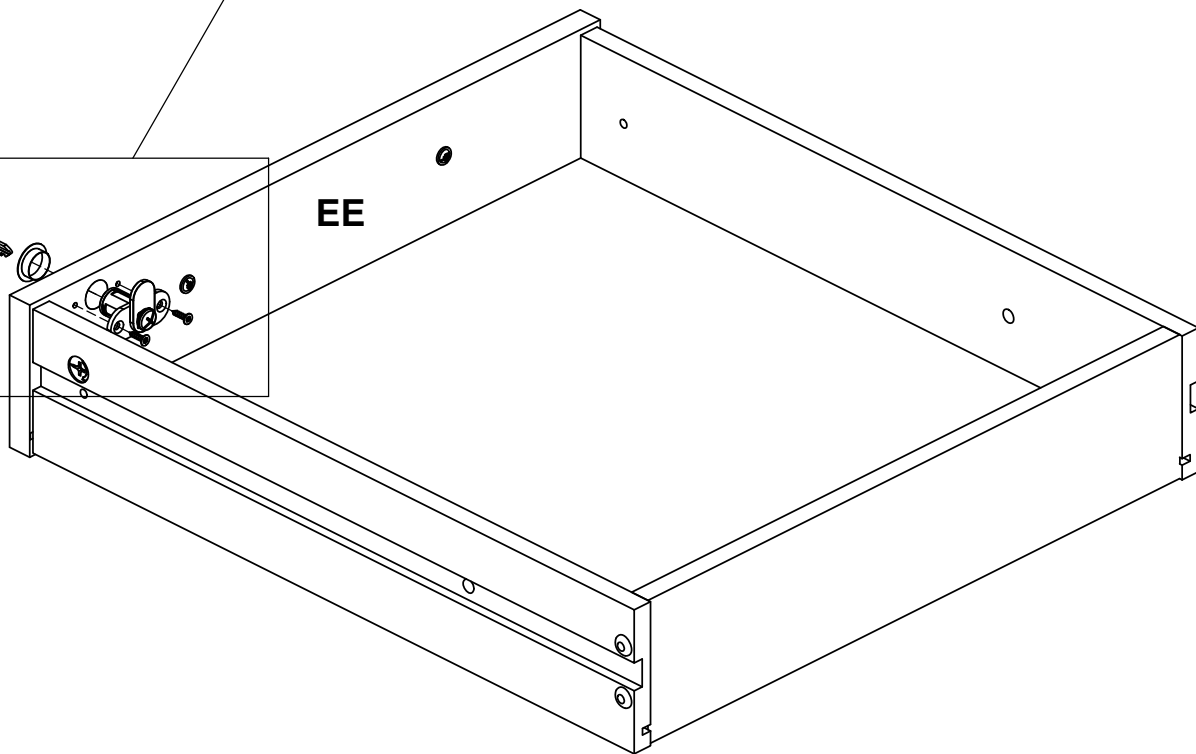
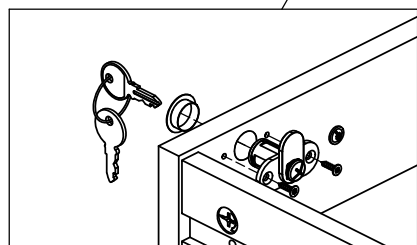
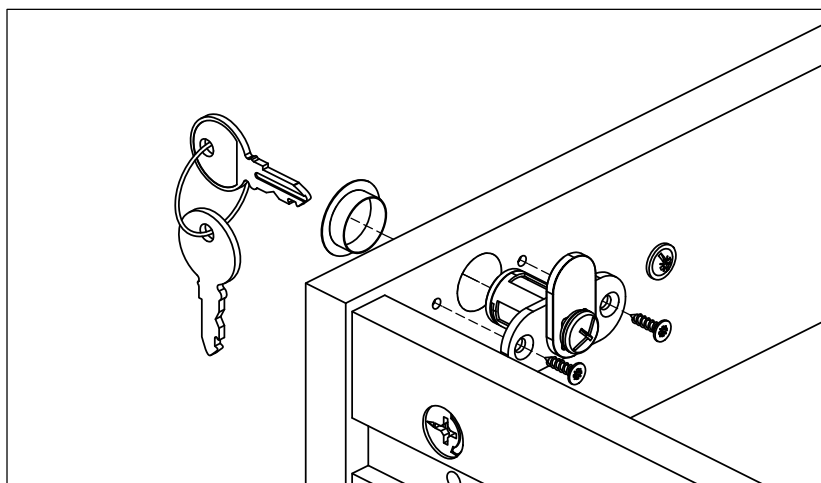
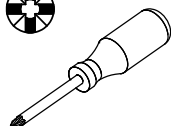
Ø0.12x0.47"
Ø3x12 mm

0190410

x1



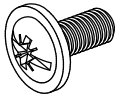
Ø0.63x0.87"
Ø16x22 mm



15

0126214

x8



M4x0.35"
M4x9 mm

