

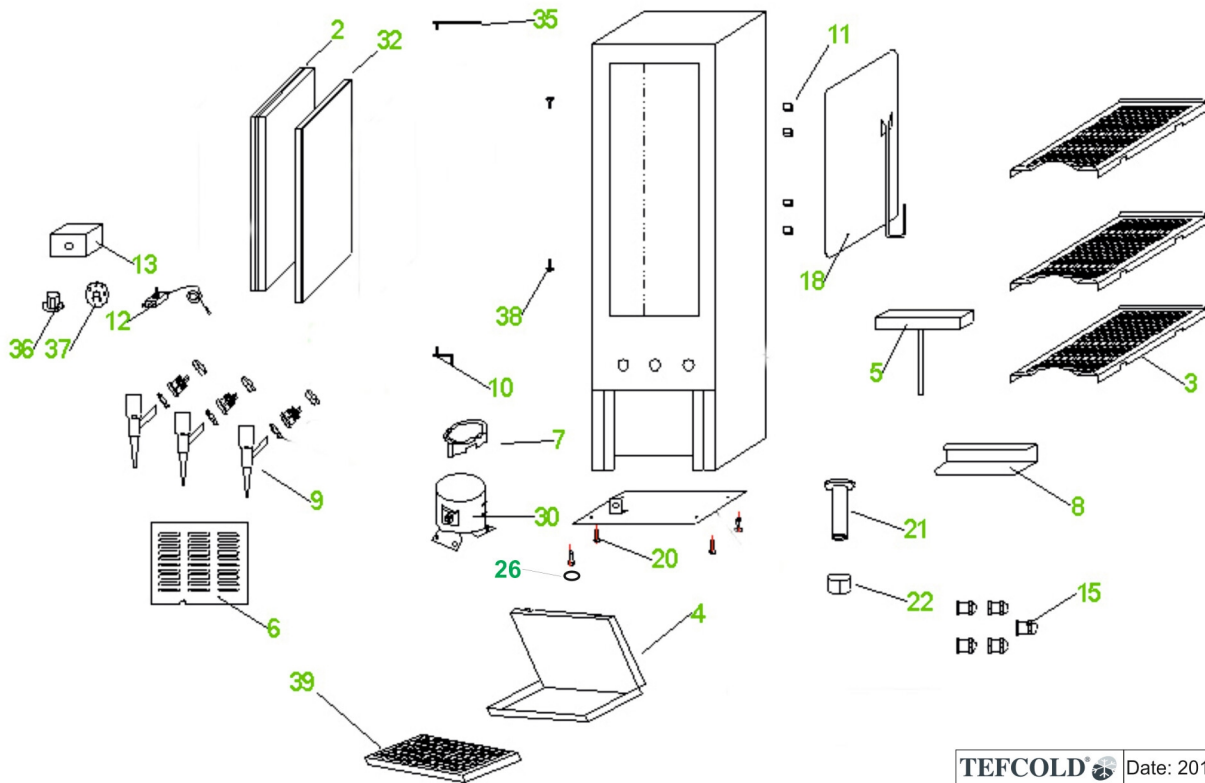
16109 / DKS95-3/10L

---

Position	ItemNo	Description
02	11924	Door
03	15038	Shelf
04	10471	Salver (Cover Front Drip Tray)
05	16945	In-House Box Of Water
06	11855	Rearward Bar
07	11493	Drip Tray
08	11100	Front Soleplate
09	10113	Tap Complete
10	12752	Bottom Hinge
11	14466	Evaporator Support
12	13936	Thermostat
13	13798	Box Of Thermostat
15	10115	Tie-In
16	14536	Silicone Pipes (3 Pcs.)
18	71992	Evaporator
20	14571	Adjustment Feet
21	16946	Clean Tap
22	10401	Clean Tap Cover
23	10076	Rubber Mat (Washer)
24	10114	Tap Tie-In
25	10077	Rubber Nut
30	11711	Compressor EYY50
32	12222	Gasket
35	12959	Top Hinge
36	14018	Thermostat Knob
37	16947	Show Sign
38	12860	Hinge Axle Sleeve
39	16948	Steel Saucer

2026-01-29

16109 / DKS95-3/10L



<b>TEFCOLD®</b>	Date: 201208
Model: DKS95-3	Rev. no.: 02
Exploded view	Rev. by: rfj
Drawing no.:	